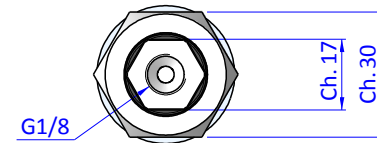
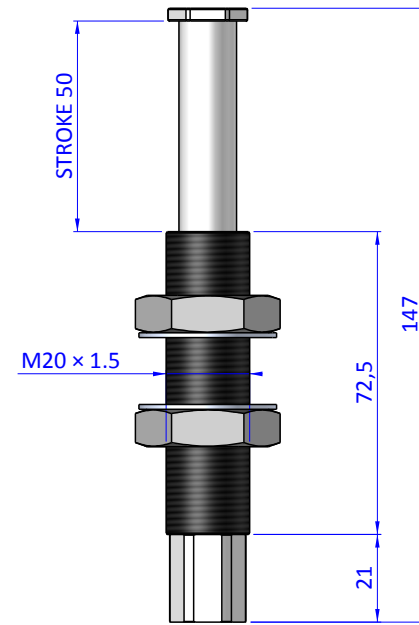
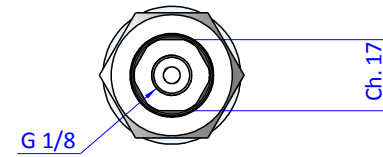
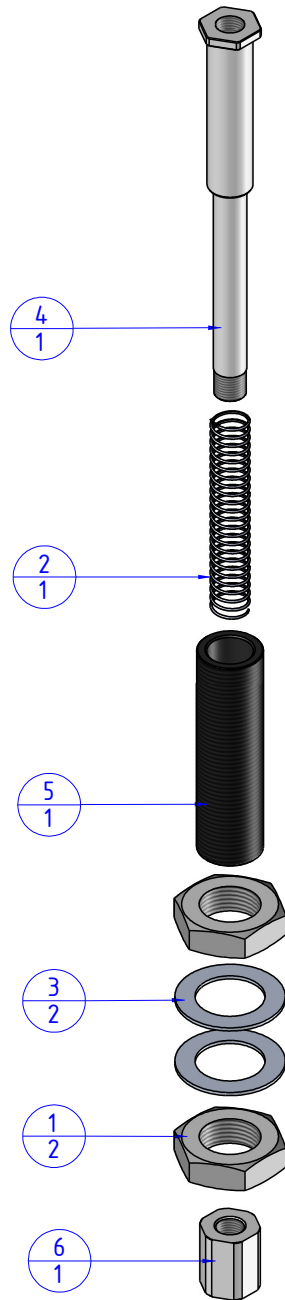


THE PROPERTY OF THE DRAWING IS ESTABLISHED BY LAW. IT IS FORBIDDEN TO PRODUCE OR SHOW IT TO THIRD PARTY, WITHOUT A WRITTEN AGREEMENT.

Item	Name	Q.ty
1	05.02.001.06	2
2	M.12X81.5	1
3	R.20.SCH	2
4	SDR.2050.01	1
5	SDRG.2050.02	1
6	VSN.20.1	1



Format A3

UNI 936-76

		DESIGNED FROM	REVIEW
		FP SERVICES	A / 3
		DATE	WEIGHT
		12/02/2019	0,108kg
GENERAL TOLERANCE	DESCRIPTION	CODE	
UNI - ISO 2768	CA.SDRG.2050	CA.SDRG.2050	
CLASSE f			